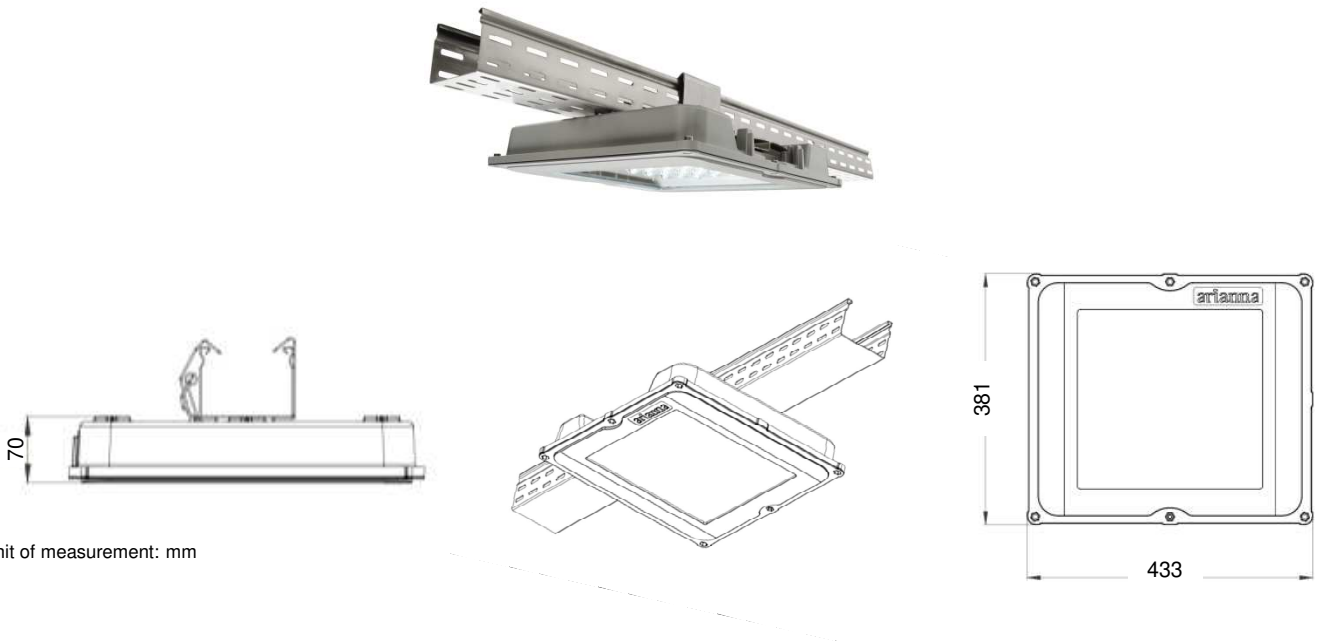


SNELL TUNNEL

Technical Data Sheet



Unit of measurement: mm

PRODUCT FEATURES

Voltage	220÷240 V ac
Frequency	50/60 Hz
Electrical safety class	II
Dimming	1-10 V or DALI
Maximum temperature	45°C
Flux control	Remote control via conveyed waves
Certifications	CE – RoHS - ENEC
Surge immunity	6 kV common mode and differential mode
Photobiological safety	Exempt group
Warranty*	5 years

MECHANICAL FEATURES

Body	Die-cast aluminium EN 46100
Total weight	6,5 kg
Ingress protection	IP 66
Painting	13 phases cycle resistant to 1000 hours in salt spray
Diffuser	Glass tempered extra clear 4 mm
External screws	A2 stainless steel
Shock protection	IK08 – 5J
Wiring type	FTG100M1 – 2 x 1,5mm ²
Gasket	Silicone based gasket
Cable gland	M20 cable gland

LED MODULE FEATURE

LED	LUMILEDS LUXEON M
Color temperature	5700 K (4000 K on request)
Color rendering index	> 70
Module efficiency	Until 140 lm/W

DRIVER FEATURE

Maximum efficiency	92,5%
Power factor (full-load)	> 0,95
Driving current	350 mA – 800 mA
Lifetime	120.000 hours (@ Tc < 55°C)

SMART CITY SYSTEM

SNELL has been designed to be integrated in light output management system. Each fitting features a dimmable electronic driver that can interface with a module designed to control the drivers power supply and, consequently, the intensity of the luminaire light output.

This system also allows the street light to be incorporated into a local communication network, making it part of a smart system for the provision of integrated public utility and security services.



*Warranty conditions shown on the www.ariannaed.com website
Visit www.ariannaed.com for the complete list of certified products.

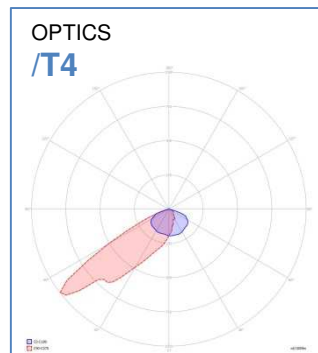
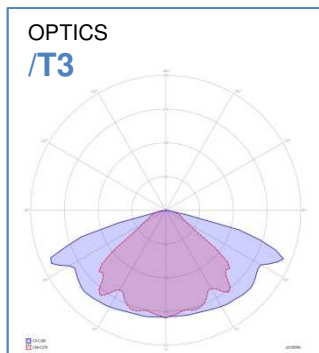
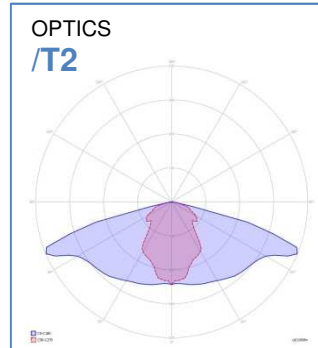
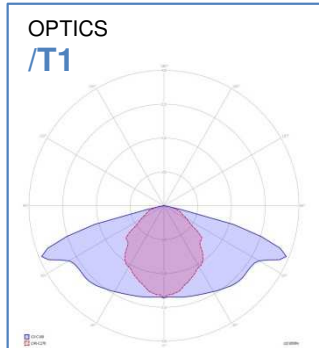
Flux and power data are corresponding to typical values referring to ambient temperature (Ta) equal to 25° C or 77° F with tolerance ± 7%

In order to facilitate continuous updating of products Arianna spa reserves the right to make changes without notice

SNELL TUNNEL

Technical Data Sheet

OPTICS



FLUX lm	POWER W	EFFICIENCY lm/W	LED	CURRENT mA
3173	28	112	4	550
3938	36	109	4	700
5085	45	112	6	600
6716	60	112	8	600
8316	74	113	10	600
9950	93	107	10	750
11560	107	108	12	730
13354	124	107	14	730
14269	136	105	14	800
16145	156	104	16	800



IP66

IK08



Visit www.ariannaled.com for the complete list of certified products.

Flux and power data are corresponding to typical values referring to ambient temperature (Ta) equal to 25° C or 77° F with tolerance ± 7%

In order to facilitate continuous updating of products Arianna spa reserves the right to make changes without notice

Arianna spa via dell'Industria 14 - 35020 Brugine (PD) t +39 049 7389920 f +39 049 7389924
info@ariannaled.com/www.ariannaled.com P.I. 04387780283

arianna
light looking forward

Rev March 2018